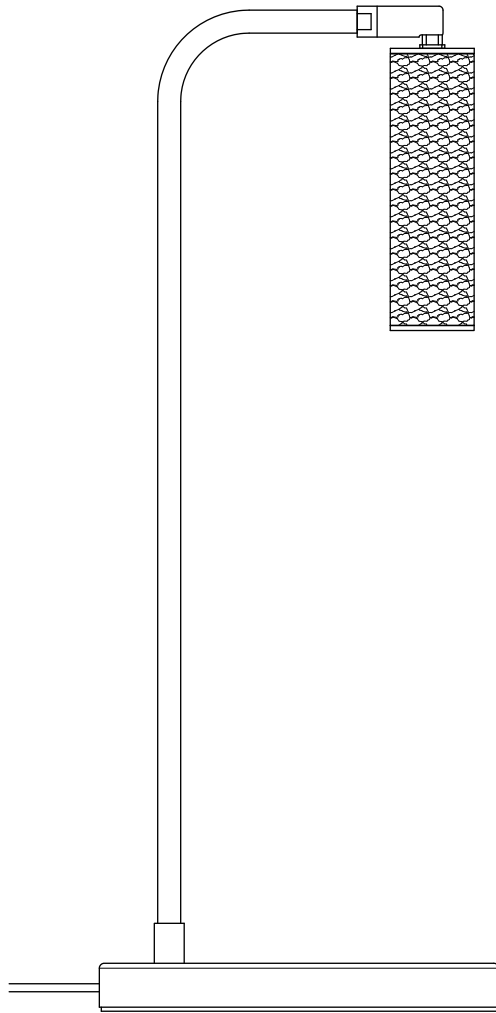
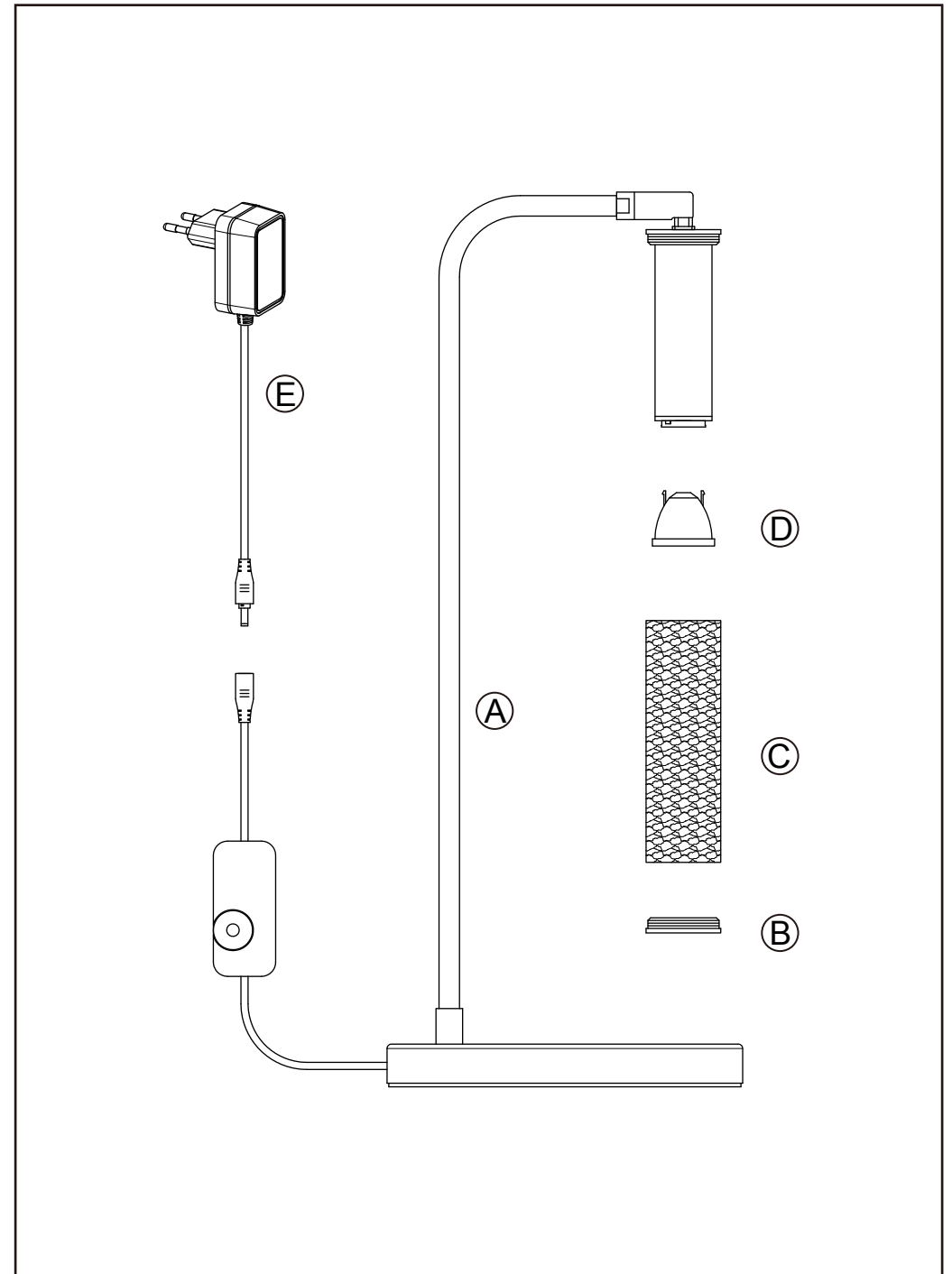


aromas ASSEMBLY INSTRUCTIONS

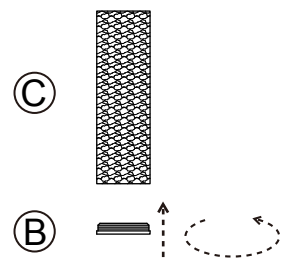
SI313



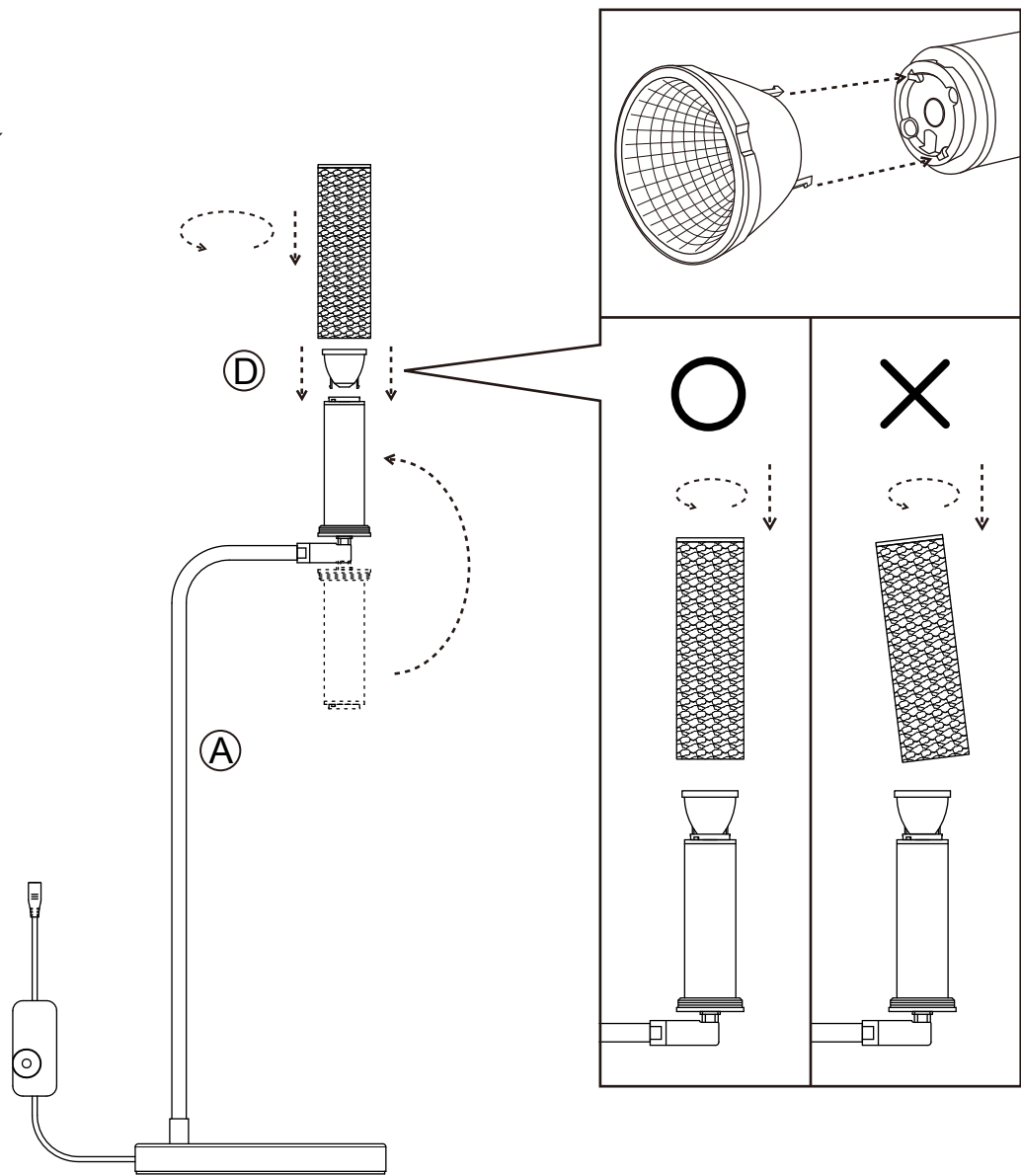
Caution : If the external flexible cable or cord of this luminaire is damaged, it shall be exclusively replaced by the manufacturer or its service agent or a similar qualified person in order to avoid a hazard.



1



2



3

