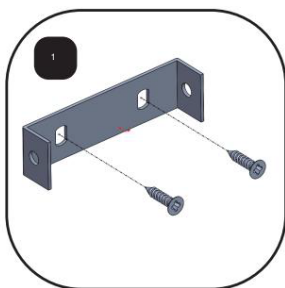
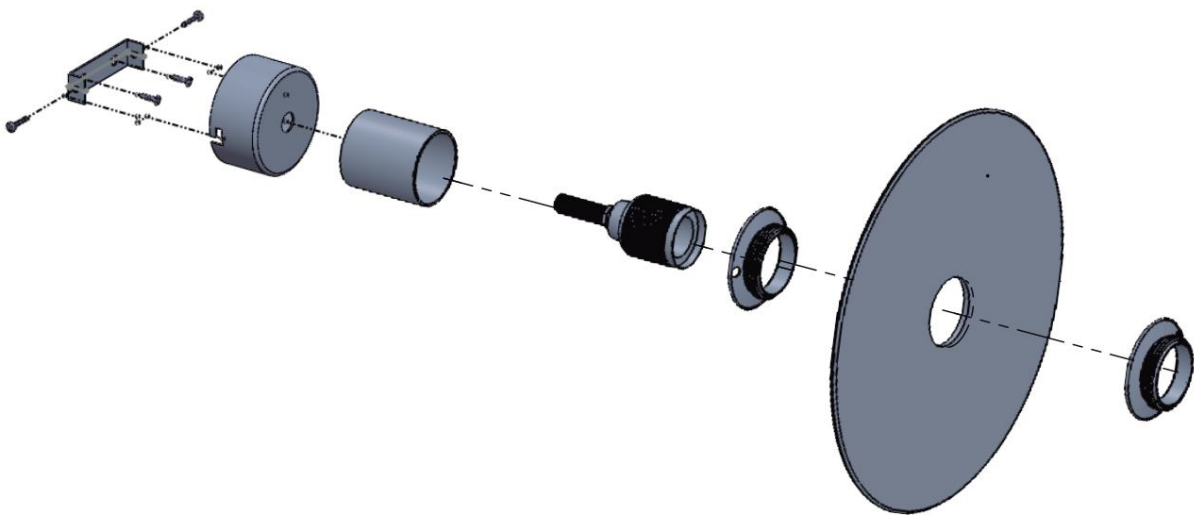


## MOUNTING

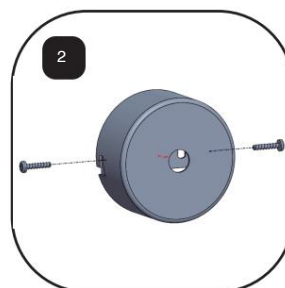
A1053 + DISC



TURN OFF THE MAINS POWER BEFORE STARTING INSTALLATION



1  
Attach the bracket to the wall with screws



2  
Hold the gold by screws

### LIGHT BULBS

E27 lamp holder



### ICONS



### CHARACTERISTICS

230 V - 60 W max.

